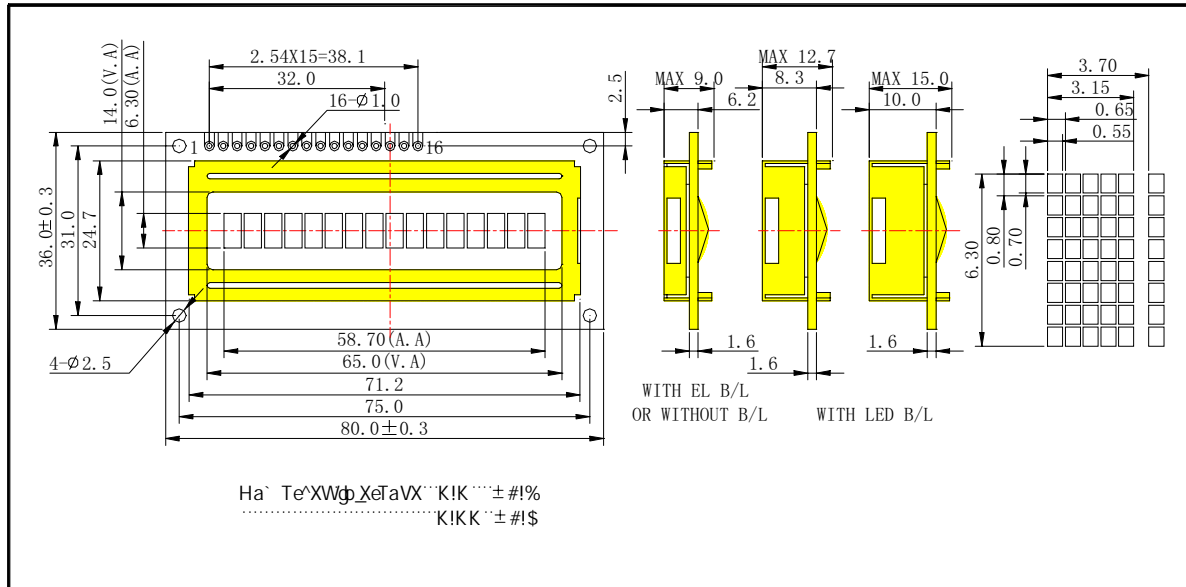


AV-DISPLAY

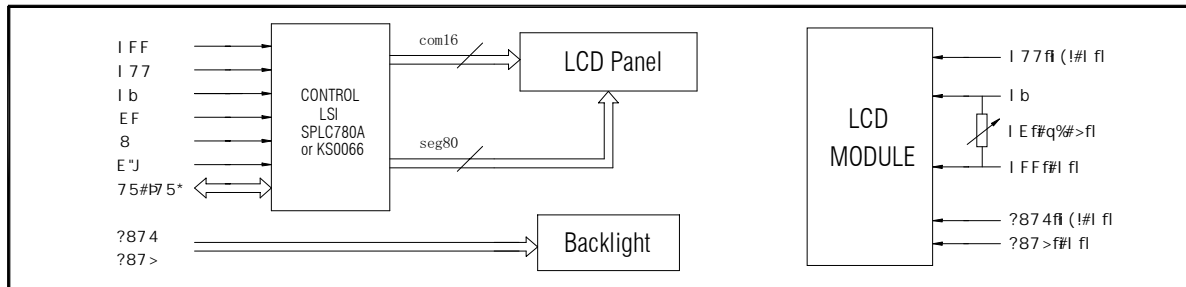
# HY-1601C Series

16x1 CHARACTERS  
1/16 DUTY, 1/5 BIAS

BHG?A8'7 @8AF BAF



5?B6>'74: E4@'/' CBJ 8E`FHCC?L



@86: 4A'64?FC86-9-64G-BAF`/'984GHE8`.....

Item	Normal Dimensions(mm)	FEATURE	
Module Size (W*H*T)	80.0x36.0x9.0/12.7/15.0	LCD Type	STN、TN、HTN、FSTN
View Area (W*H)	65.0x14.0	LCD Colour	STN:Yellow-Green、Gray Other:Gray
Character Pitch(W*H)	3.70x6.30	View Angle	6 O'clock、12 O'clock
Character Size(W*H)	3.15x6.30	Display Type	Positive Type、Negative Type
Character Font	5x8	Rear polarizer	Transmissive、Reflective、Transflective
Dot Pitch (W*H)	0.65x0.80	Operating Temperature	0° C ~ 50° C、-20° C ~ 70° C
Dot Size (W*H)	0.55x0.70	Backlight	LED:Yellow EL:Green、Blue-Green、Blue Without

8?86GE'64?6: 4E46G8E`FG'6F

Item	Symbol	Test Condition	Min.	Typ.	Max.	Unit
Operating Voltage	Vdd	Ta=25° C	---	5.0	---	V
Operating Voltage for LCD	Vlcd	Ta=25° C	---	4.5	---	V
Supply Current	Idd	Ta=25° C, Vdd=5.0V	---	2.0	3.0	mA
Supply Current for Backlight(LED)	If	Ta=25° C, Vf=4.2V	---	190	---	mA

AG8E9468`C-A`6BAA86G-BAF

Pin No	Symbol	Level	Description
1	VSS	--	Ground for Logic
2	VDD	--	Power supply for Logic
3	Vo	--	Power supply for LCD drive
4	RS	H/L	Register selection (H:Data register, L:Instruction register)
5	R/W	H/L	Read/write selection (H:Read, L:Write)
6	E	H/H—L	Enable signal for LCM
7-14	DB0-DB7	H/L	Data Bus lines
15	LEDA	--	Power supply for Backlight(+)
16	LEDK	--	Power supply for Backlight(-)

E8@4E>

Operating voltage option: 5.0V or 3.0V

Pin15 and Pin16 electrode(A、K) can be exchanged

Negative type LCD colour: Blue

CGROM font option: English、Japanese、Russian、etc